

TEFLON LINED GLOBE 2 WAY CONTROL VALVE SERIES - 117

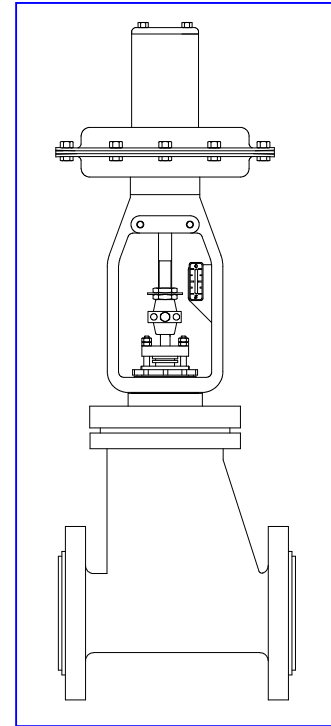
INTRODUCTION

The Teflon lined globe valve body has carbon or glass filled PTFE trim parts , push down to close action and positive shutoff.

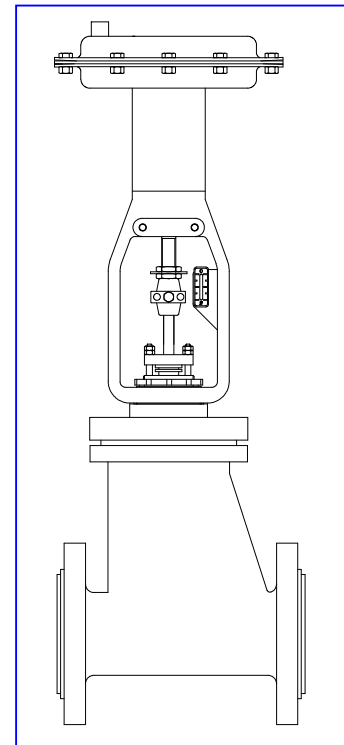
This type of valve is used extensively in the applicatons involving severely corrosive and toxic flowing media. Within its pressure limitations, this type of valve may be applied to most media. The teflon lined body design provides an economical alternative to alloy valve bodies in wide variety of applications.

SPECIFICATIONS

DESIGN	: ASME B16-34.
VALVE SIZE	: 20 to 80 mm (3/4" to 3")
RATING	: ANSI 150.
END CONNECTION	: Flanged.
BODY MATERIALS	: Carbon Steel with PFA liner.
LINING MATERIALS	: Teflon. (FEP) / PFA / PVDF
FLEXIBLE BELLOW	: PTFE.
PLUG, SEAT RING	: Carbon-filled PTFE or Glass filled PTFE.
GLAND PACKING	: Double PTFE Rings.
BUSHINGS	: Stainless Steel.
LINING THICKNESS	: 3mm.
SERVICE	: Teflon (PFA) max. 200°C Teflon (FEP) max. 160°C
BONNET	: Standard.
TRIM DESIGNS	: Top Guided Contoured, Splined Micro Flow,
CHARACTERISTICS	: Equal Percentage, Linear and On-Off.
SEAT LEAKAGE	: Class VI As per FCI-70-2 (ANSI B 16.104)
ACTUATOR TYPE	: Diaphragm, Cylinder or Electric.
ACTUATOR ACTION	: Direct / Reverse Acting.
DIAPHRAGM	: Nitrile / Neoprene.
SPRING RANGES	: 3 – 15 PSIG (0.2 – 1.0 Kg/cm ²) : 6 – 30 PSIG (0.4 – 2.0 Kg/cm ²)
AIR SUPPLY	: 20 – 35 PSIG (1.4 – 2.5 Kg/cm ²)
AIR CONNECTION	: 1/ 4" or 1/ 2" NPT
HANDWHEEL	: Top or Side Mounted Handwheel
ACCESSORIES OPTIONAL	: Valve Positioner - Pneumatic , Electro Pneumatic, Smart Positioner, Airset, Solenoid Valve, Air Lock, Volume Booster, I/P Converter, Position Transmitter, Limit – Proximity Switches etc.



**CONTROL VALVE WITH
REVERSE ACTUATOR**



**CONTROL VALVE WITH
DIRECT ACTUATOR**

DESIGN FEATURES

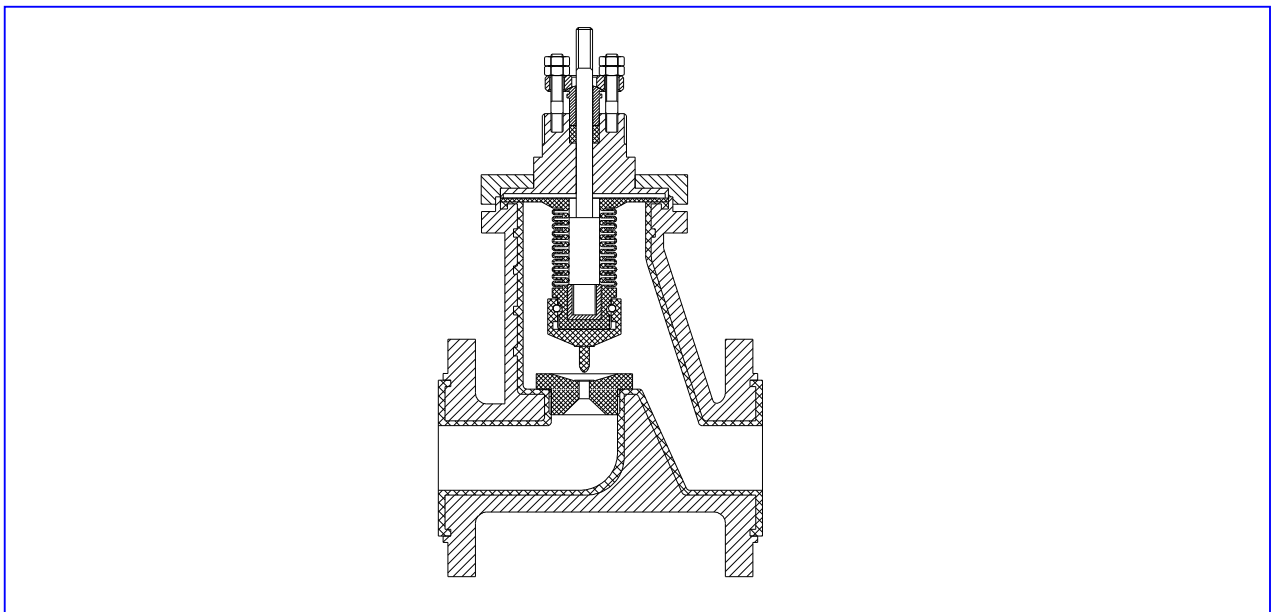
- >> Fluid Compatibility- The lined material protects metal parts from process fluid making it ideal for controlling severely corrosive media.
- >> Economy- Since metal parts are protected from process fluid use of expensive alloys is not needed.
- >> Integrity- The body design provides a mechanical bond between body and liner, which minimizes the potential of body liner separation.
- >> Long Life Bellows Seal- provides for absolute glang sealing.
- >> Easy In Line Maintenance- The top entry design eases in-line maintenance and minimizes transfer of pipeline stresses.

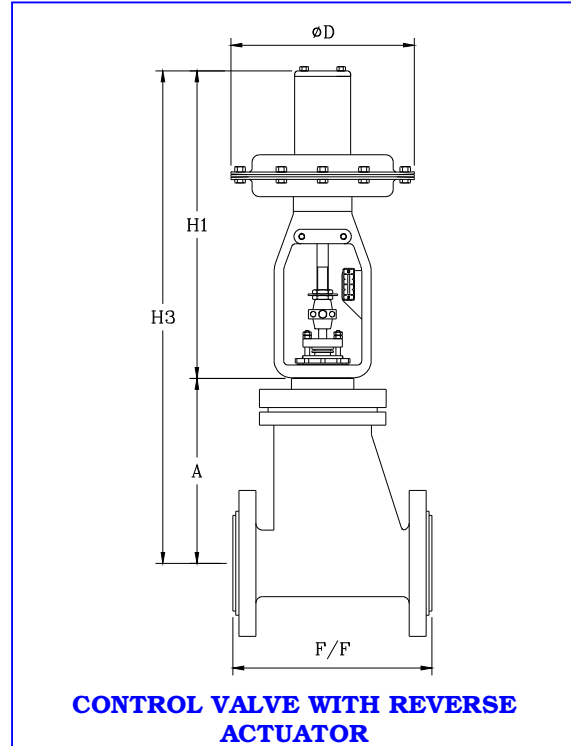
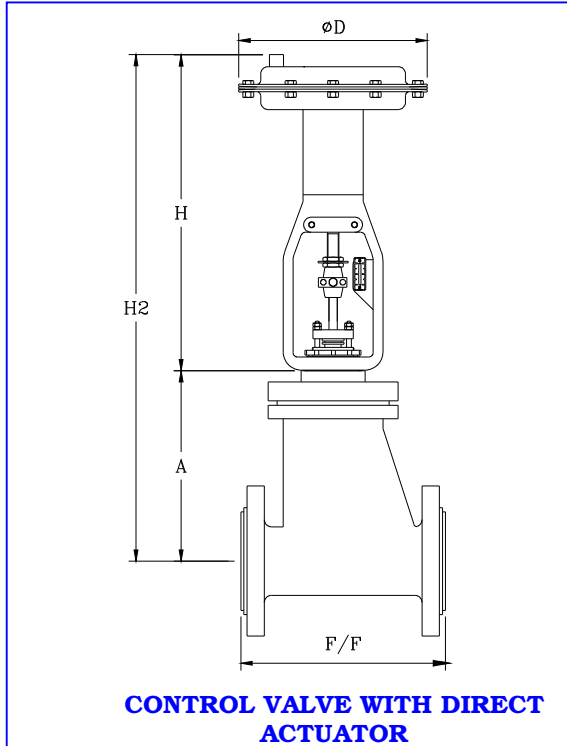
QUALITY AND PERFORMANCE GUARANTEE

- >> Produced with Quality Systems accredited to ISO 9001 : 2000 (Certificate No. 208920.) by Bureau Veritas.
- >> Full material certification available for all major component Parts.
- >> Full guarantee on design and Performance.
- >> All testing performed to the requirements of ANSI B16.34.

VALVE SIZING CO-EFFICIENT Cv RATING

VALVE SIZE		TRIM SIZE		Cv
Ins	mm	Ins	mm	EQUAL % & LINEAR
3/4	20	1/2	15	5
		3/4	20	8
1	25	1/2	15	5
		3/4	20	8
		1	25	10
1.1/2	40	1.1/4	32	25
2	50	1.1/2	40	25
		2	50	45
3	80	2.1/2	65	55
		3	80	95





VALVE SIZE	F/F	A	ACTUATOR MODEL	EFFECTIVE Inch ²	BONNET MOUNT DIA.	TRAVEL	ϕD	H	H1	H2	H3
20	184	184	PDC - 030	30	54	14.3	218	--	375	--	559
			PDO - 030	30	54	14.3	218	400	--	584	--
25	184	184	PDC - 030	30	54	14.3	218	--	375	--	559
			PDO - 030	30	54	14.3	218	400	--	584	--
40	229	190	PDC - 055	55	54	28	286	--	510	--	565
			PDO - 055	55	54	28	286	510	--	700	--
50	231	220	PDC - 055	55	54	28	286	--	510	--	730
			PDO - 055	55	54	28	286	510	--	730	--
80	310	310	PDC - 095	95	71.5	38	371	--	600	--	910
			PDO - 095	95	71.5	38	371	600	--	910	--

- PDO - Direct Acting Actuator (used on supply failure Valve – Opens)
- PDC – Reverse Acting Actuator (used on supply failure Valve – Closes)
- All dimensions in mm.

The Company's policy is one of continuous product improvement and the right is reserved to modify the specifications contained herein without notice.



PNEUCON VALVES PVT. LTD.

Plot No: A-35, Road No. 10, Wagle Industrial Estate,
Thane – 400 604, India.

Phone: +9122 2583 8371, 2583 8372, Fax : +9122 2583 8373
E-Mail: info@pneuconvalves.com Web: www.pneuconvalves.com

BUILT IN RELIABILITY